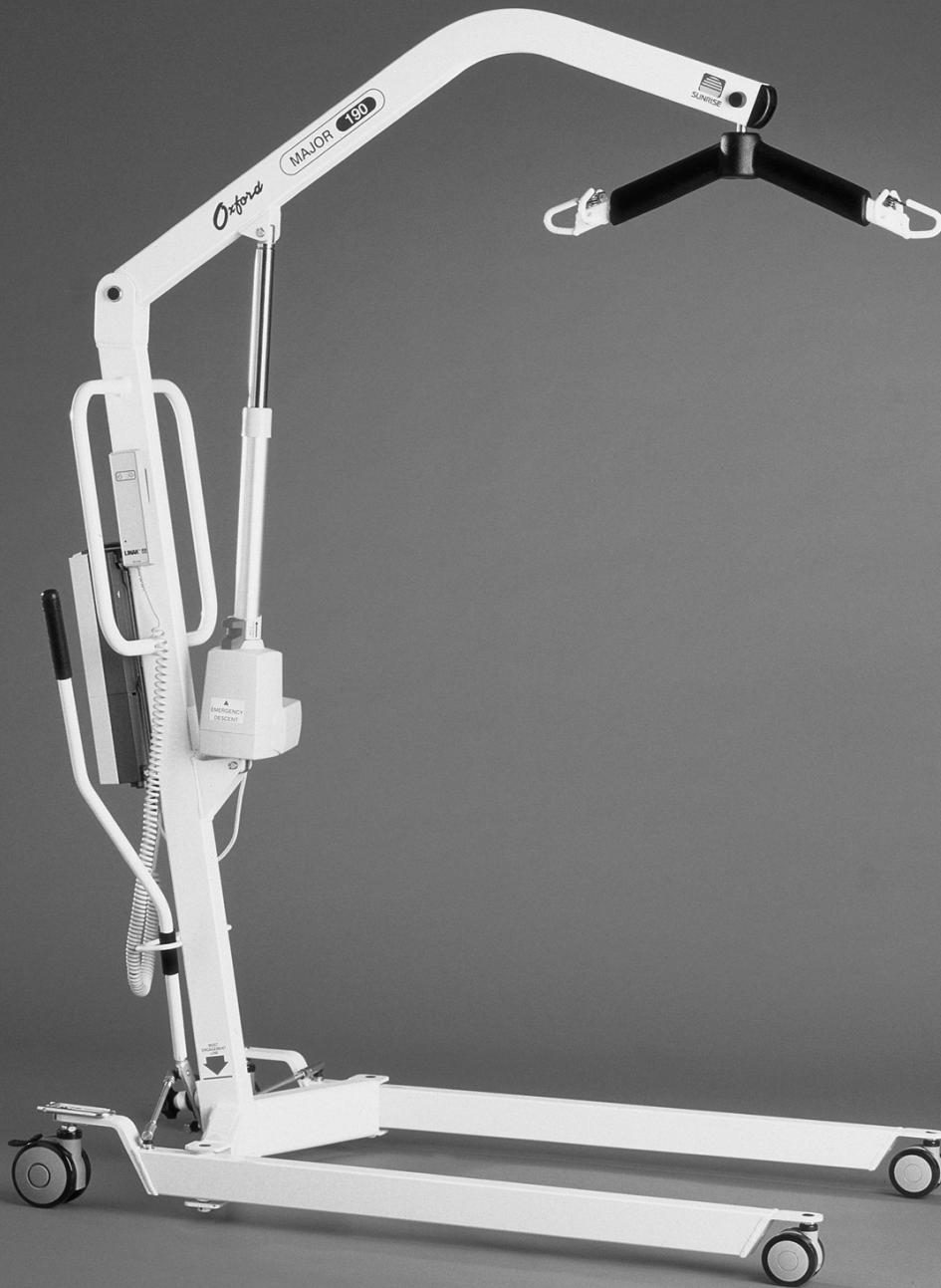


Oxford Major 190 Parts Manual



Sunrise Medical Limited

High Street, Wollaston, West Midlands, DY8 4PS

Tel: +44 (0)1384 44 66 22

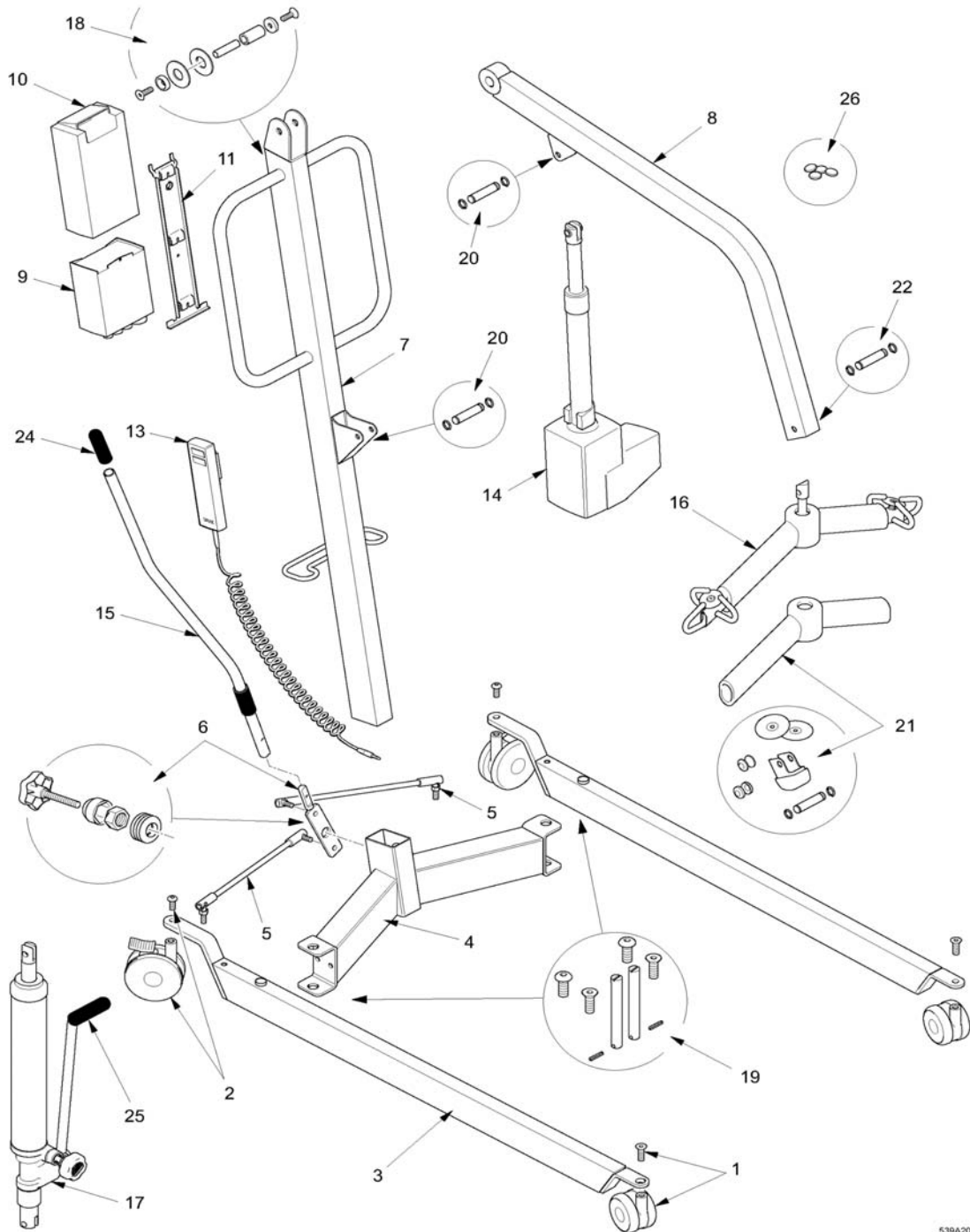
Fax: +44 (0)1384 44 66 44

sunmail@sunmed.co.uk

www.sunrisemedical.co.uk

OXMJ/PM/MAR02/ISS3

OXFORD MAJOR 190



539A204

OXFORD MAJOR 190

NO.	PART NUMBER	DESCRIPTION	QTY	SERIAL NO.
1	091388.10000	Castor kit:75mm nylon castor, M8 CSK screw	1	
2	091388.10001	Rear castor kit: 100mm nylon braked castor M10 button head bolt	1	
3	211001.10005	Leg fabrication: Suitable for left & right config (Not inc. castors)	1	
4	211001.10009	Cross member assembly, including nutsert	1	
5	EM-2680	Link rods (left & right side) including washers	1	
6	232388.10000	Pivot plate assy: inc. belville washers, circlip, cap, & locking knob	1	
7	211001.10007	Mast complete	1	
8	211709.10002	Boom complete	1	
9	172001.10004	Linak controller	1	
10	000172.10000	Linak battery	1	
11	560000.10000	Linak battery and controller bracket and fixings	1	
12	133001.10001	Linak battery charger and desk top unit (not shown)	1	
13	293001.10000	Linak hand control	1	
14	182001.10002	Linak actuator (300mm stroke)	1	
15	232388.10007	Leg adjuster handle	1	
16	EM-3815	Spreader bar assembly	1	
17	HY-4006	Hydraulic pump	1	

KITS & FIXINGS COMPLETE

18	232388.10005	Mast & boom fixing kit: X2 nylon washers, X1 nylon pivot tube, X1 steel pivot pin, X2 washers, X2 M8 CSK bolt	1	
19	232388.10003	Leg fixing kit: X2 M8 castor bolts CSK, X2 M10 button head castor bolts, X2 leg pivot pins long (Major/Maxi), X2 leg pivot pins short (mini, midi, stowaway)	1	
20	232388.10004	Actuator fulcrum fixing kit: X2 fixing pins, X4 circlip	1	
21	642388.10001	Spreader bar service kit: X1 padding, X2 fulcrum pin caps, X1 boom end cap, X2 cap washers, X2 circlips, X1 fulcrum pin, X2 sling retaining plates complete	1	

COMMONLY REQUIRED ITEMS

23	000412.10004	Decal Set Electric (not shown)	1	
	000412.10005	Decal Set Hydraulic (not shown)	1	
24	655530.1000	Handle grip: leg adjuster handle	10	
25	655530.1001	Handle grip: hydraulic pump handle	10	
26	655530.1002	Circlip caps	20	